

Click to Clear Form

Clear

caution: this clears all form fields

# HEMCO Corporation ISO 9001: 2008

## Plan-A-UniFlow HDPE Acid Digestion Fume Hoods

Click to Submit Form

Submit

window opens, select your e-mail service, add a message, press send

HEMCO Corporation PH:816-796-2900 Fax:816-796-3333 info@HEMCOCORP.COM

PLAN-A-HOOD HDPE ACID DIGESTION FUME HOOD

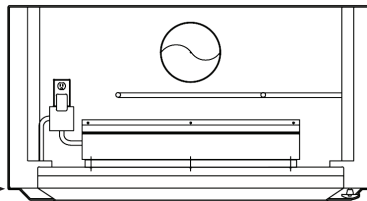
SHEET 1 OF 2

CUSTOMER \_\_\_\_\_  
 BY \_\_\_\_\_ DATE \_\_\_\_\_  
 PHONE \_\_\_\_\_  
 FAX \_\_\_\_\_  
 EMAIL \_\_\_\_\_

CUSTOMER APPROVAL  APPROVED AS SHOWN  
 APPROVED AS NOTED (PLEASE MARK CORRECTIONS IN RED)  
 NOT APPROVED (PLEASE INDICATE REASON)  
 CUSTOMER SIGNATURE \_\_\_\_\_ DATE \_\_\_\_\_

<b>CATALOG NO #</b>
FUME HOOD WIDTH:
FUME HOOD DEPTH:
FUME HOOD HEIGHT:
PROCESSES TO BE PERFORMED:

<input checked="" type="checkbox"/> <b>CUSTOMER NOTES</b>



<input checked="" type="checkbox"/> <b>AIRFLOW MONITOR</b>	CAT. NO
DIGITAL	
ANALOG	

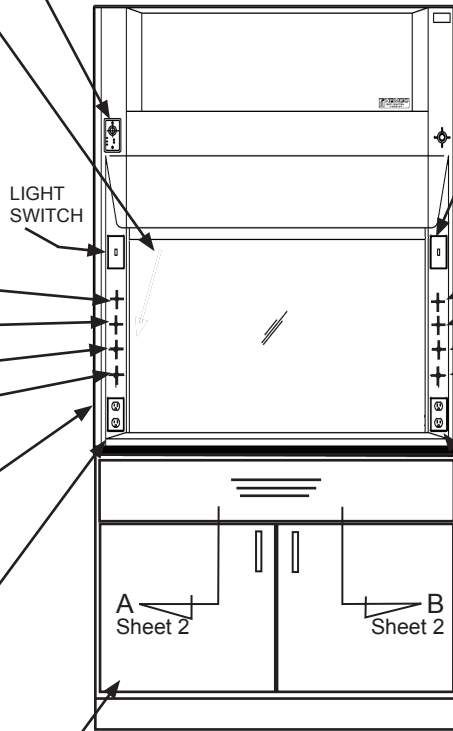
<input checked="" type="checkbox"/> <b>SASH</b>	CAT. NO
VERTICAL MOVING STD	STD
HORIZONTAL MOVING	
COMBINATION H&V	
<b>SASH STOP</b>	CAT. NO
SPECIFY LOCATION	

<input checked="" type="checkbox"/> <b>SERVICE FIXTURES</b>	CAT. NO
REMOTE CONTROLLED	
REMOTE CONTROLLED	
REMOTE CONTROLLED	
OTHER	
SPECIFY AIR,GAS,VAC,C/W OR OTHER	

<input checked="" type="checkbox"/> <b>ACCESS PANEL</b>	CAT. NO
INSIDE LOCATION	
OUTSIDE LOCATION	

<input checked="" type="checkbox"/> <b>ELECT. SERVICE LT</b>	CAT. NO
DUPLEX RECEPT.125V,15A	
DUPLEX RECEPT.125V, 20A	
SIMPLEX RECEPT. 250V	
DUPLEX GFI 125V, 15A	
DUPLEX GFI 125V, 20A	

<input checked="" type="checkbox"/> <b>CABINETS</b>	CAT. NO
SINK CABINET	
BASE CABINET	
ACID CABINET	
FLAMMABLE CABINET	
BASE CABINET	
ADA	

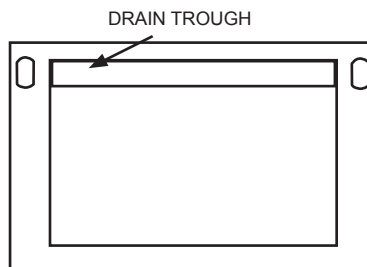


<input checked="" type="checkbox"/> <b>BLOWER SWITCH</b>	CAT. NO
TOGGLE SWITCH 125V,15A	
TOGGLE SWITCH 125V, 20A	
TOGGLE SWITCH. 250V, 20A	
TOGGLE SWITCH W/PILOT	
MOTOR STARTER SWITCH	

<input checked="" type="checkbox"/> <b>SERVICE FIXTURES</b>	CAT. NO
REMOTE CONTROLLED	
REMOTE CONTROLLED	
REMOTE CONTROLLED	
OTHER	
SPECIFY AIR,GAS,VAC,C/W OR OTHER	

<input checked="" type="checkbox"/> <b>ACCESS PANEL</b>	CAT. NO
INSIDE LOCATION	
OUTSIDE LOCATION	

<input checked="" type="checkbox"/> <b>ELECT. SERVICE LT</b>	CAT. NO
DUPLEX RECEPT.125V,15A	
DUPLEX RECEPT.125V, 20A	
SIMPLEX RECEPT. 250V	
DUPLEX GFI 125V, 15A	
DUPLEX GFI 125V, 20A	



<input checked="" type="checkbox"/> <b>WORKSURFACE</b>	CAT. NO
INTEGRAL PVC STD	

Click to Clear Form

Clear

caution: this clears all form fields

# HEMCO Corporation ISO 9001: 2008

## Plan-A-UniFlow HDPE Acid Digestion Fume Hoods

Click to Submit Form

Submit

window opens, select your e-mail service, add a message, press send

HEMCO Corporation PH:816-796-2900 Fax:816-796-3333 info@HEMCOCORP.COM

PLAN-A-HOOD HDPE ACID DIGESTION FUME HOOD

SHEET 2 OF 2

CUSTOMER \_\_\_\_\_  
 BY \_\_\_\_\_ DATE \_\_\_\_\_  
 PHONE \_\_\_\_\_  
 FAX \_\_\_\_\_  
 EMAIL \_\_\_\_\_

CUSTOMER APPROVAL  APPROVED AS SHOWN  
 APPROVED AS NOTED (PLEASE MARK CORRECTIONS IN RED)  
 NOT APPROVED (PLEASE INDICATE REASON)  
 CUSTOMER SIGNATURE \_\_\_\_\_ DATE \_\_\_\_\_

