

Click to Clear Form

Clear

caution: this clears all form fields

HEMCO Corporation ISO 9001: 2008

Click to Submit Form

Submit

window opens, select your e-mail service, add a message, press send

EnviroMax Specification Planner

HEMCO Corporation PH:816-796-2900 Fax:816-796-3333 info@HEMCOCORP.COM

EnviroMax Specification Planner

CATALOG#

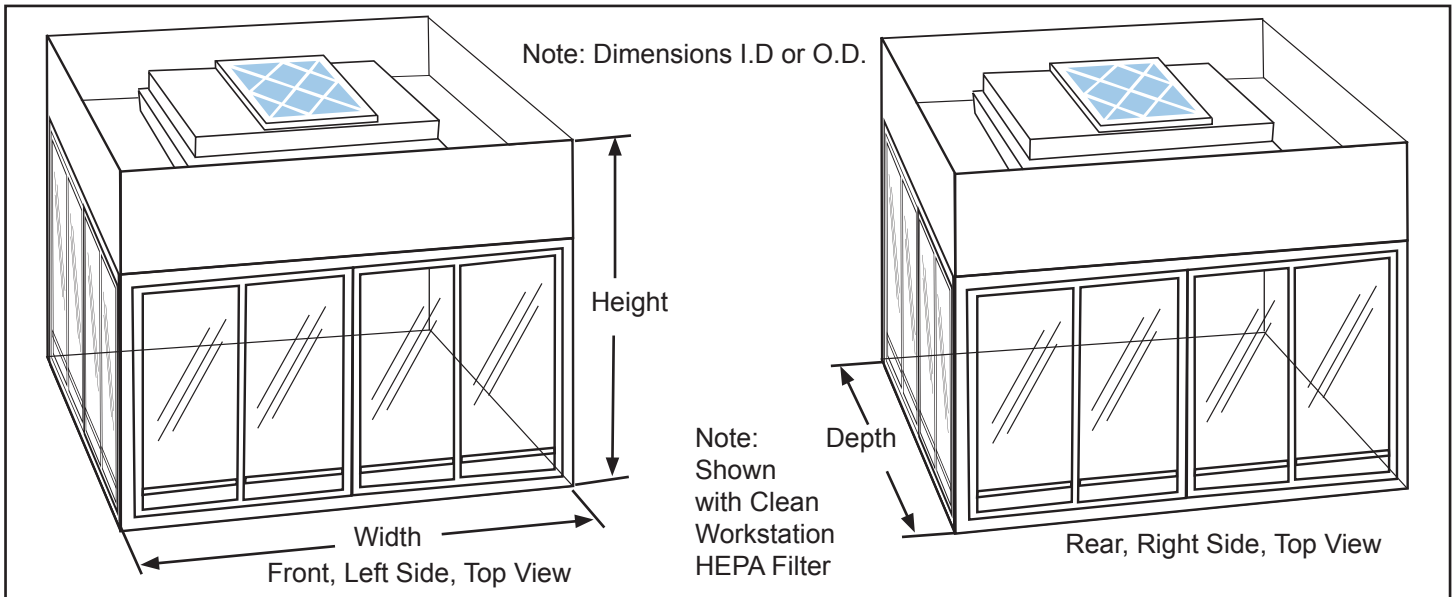
SHEET 1 OF 2

CUSTOMER _____
 BY _____ DATE _____
 PHONE _____
 FAX _____
 EMAIL _____

CUSTOMER APPROVAL APPROVED AS SHOWN
 APPROVED AS NOTED
 (PLEASE MARK CORRECTIONS IN RED)
 NOT APPROVED
 (PLEASE INDICATE REASON)

CUSTOMER SIGNATURE _____ DATE _____

Please note on the line drawings below dimensions, type of doors, door locations and service requirements. Please email completed form to info@hemcocorp.com.



TYPE OF ENCLOSURES

A. HAZARDOUS CONTAINMENT EXHAUST ENCLOSURE

- Doors: Horizontal Slide _____ Vertical Slide _____ Hinge-Up _____ Hinge-Out _____
 Access: Front _____ Rear _____ Right _____ Left _____ All _____
- Wall/Ceiling Panels: Glass _____ Acrylic _____ Composite _____ Phenolic _____
- Lighting: Fluorescent _____ Explosion Proof _____ None _____
 Baffle: Yes _____ No _____ If Yes, Top _____ Rear _____
- Exhaust Collar Diameter _____
- Exhaust Fan: Yes _____ No _____ If Yes, CFM _____ Or ACH _____
- Filter: Yes _____ No _____ If Yes, HEPA _____ Carbon _____

B. CLEAN WORKSTATION ENCLOSURE

- Doors: Horizontal Slide _____ Hinge-UP _____
 Access: Front _____ Rear _____ Right _____ Left _____ All _____
- Wall/Ceiling Panels: Glass _____ Acrylic _____ Composite _____ Phenolic _____
- Lighting: Fluorescent _____ UV _____ Explosion proof _____ None, _____
- HEPA Filtration: Class / ISO _____ Other _____

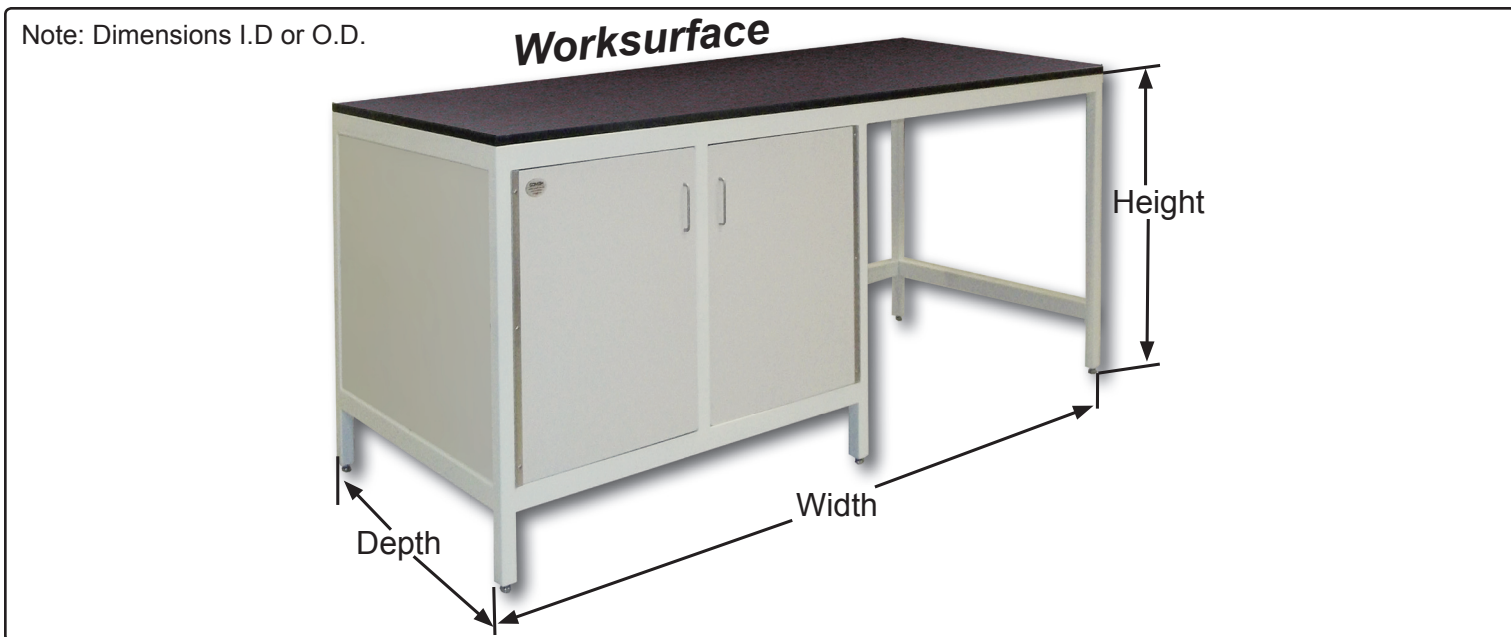
C. BIO-ENCLOSURE

- Doors: Standard Hinge-up View Shield _____ Other _____
 Access: Front _____
- Wall Panels: Composite Resin _____ Glass _____
- Standard Stainless Steel worksurface with perforated flow-thru, and lower exhaust plenum
 Exhaust - 100%

Note: Does this enclosure need to ship knockdown to allow passage clearance through doorways, corridors, elevators, etc. Yes _____ No _____ If yes, please provide dimensions of doorways, etc. _____

Click to Clear Form <div style="border: 1px solid black; padding: 2px; width: 80px; margin: 0 auto;">Clear</div> <small>caution: this clears all form fields</small>	<h2 style="margin: 0;">HEMCO Corporation ISO 9001: 2008</h2> <h3 style="margin: 5px 0 0 0;">EnviroMax Table Specification Planner</h3>	Click to Submit Form <div style="border: 1px solid black; padding: 2px; width: 80px; margin: 0 auto;">Submit</div> <small>window opens, select your e-mail service, add a message, press send</small>
HEMCO Corporation PH:816-796-2900 Fax:816-796-3333 info@HEMCOCORP.COM		
EnviroMax Specification Table Planner	CATALOG#	SHEET 2 OF 2
CUSTOMER _____ BY _____ DATE _____ PHONE _____ FAX _____ EMAIL _____	CUSTOMER APPROVAL <input type="checkbox"/> APPROVED AS SHOWN <input type="checkbox"/> APPROVED AS NOTED (PLEASE MARK CORRECTIONS IN RED) <input type="checkbox"/> NOT APPROVED (PLEASE INDICATE REASON)	CUSTOMER SIGNATURE _____ DATE _____

Please note on the line drawings below dimensions, type of doors, door locations and service requirements. Please email completed form to info@hemcocorp.com.



TYPE OF TABLE

SUPPORT TABLE/CABINET

1. Open Leg Table _____ Enclosed Cabinet _____ Shelf: Yes _____ No _____
2. If enclosed cabinet: Hinged doors _____ Slide doors _____ Front _____ Rear _____
 Right: _____ Left _____ All _____
3. Mobile: Yes _____ No _____ Weight load _____ Vibration concern _____

WORKSURFACE

1. Phenolic Resin _____ Plastic Laminate _____ Stainless Steel _____ Epoxy _____
 Breadboard _____ ESD (Electrostatic dissipating) _____
2. Dimensions: _____ " wide X _____ " deep X _____ " thick _____
3. Dished: Yes _____ No _____
4. Sink: Yes _____ No _____ If yes, size: _____ by _____ by _____
5. Cord Port: Yes _____ No _____, If yes, diameter _____

ELECTRICAL/PLUMBING

1. Plug Strip _____ Pedestal Box _____ Number of Plug-ins _____ Voltage _____
2. Location _____
3. Cord/cable access 2" diameter Ports-quantity _____ Location _____
4. Keycock: Yes _____ No _____ Type of liquid or gas service _____

Note: Does this enclosure need to ship knockdown to allow passage clearance through doorways, corridors, elevators, etc. Yes _____ No _____ If yes, please provide dimensions of doorways, etc. _____