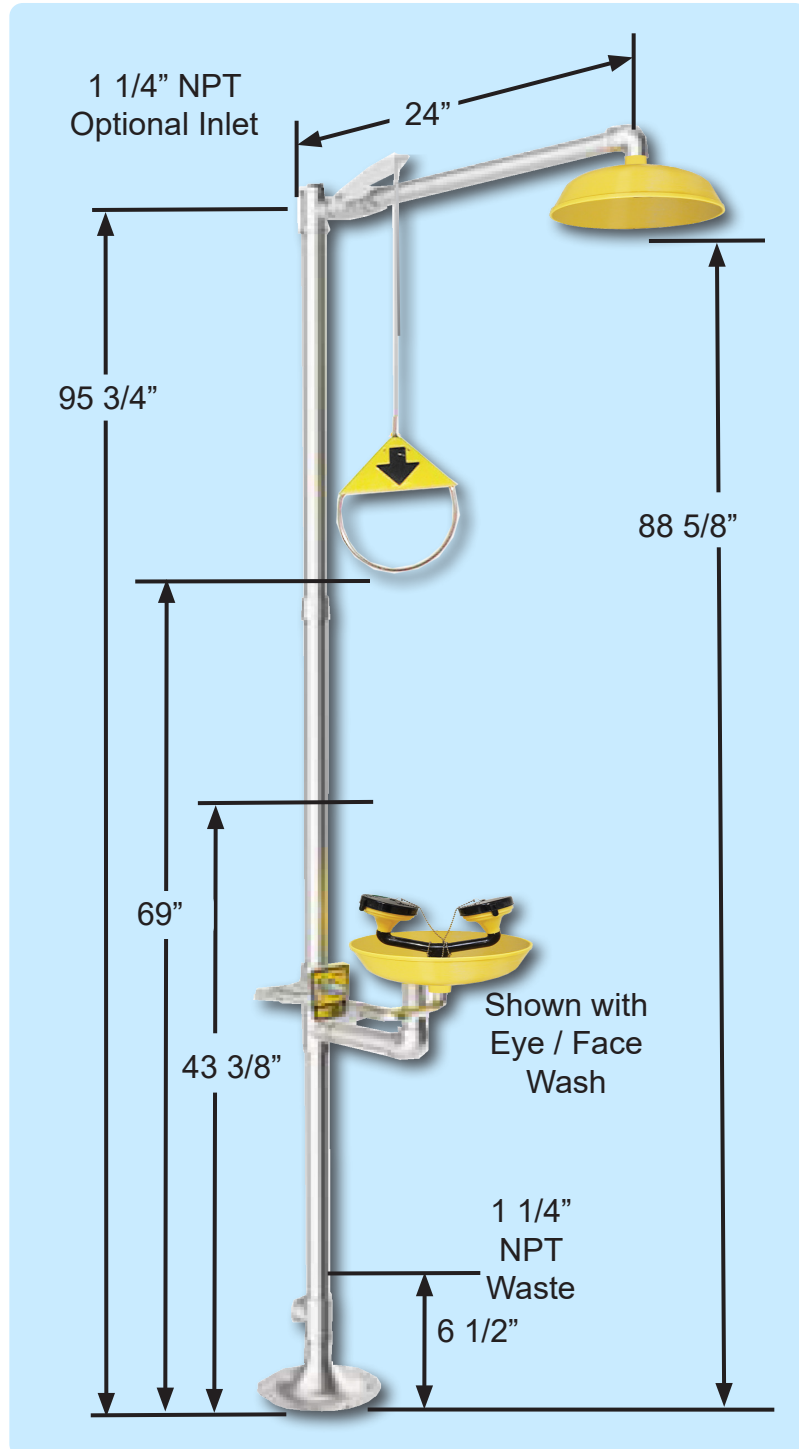


Drench Shower/Eye Face Wash

The Drench Shower provides a continuous stream of non-injurious water for 15 minutes or longer, after activation.



- Shower head manufactured of UV resistant high visibility yellow ABS plastic.
- Shower head delivers a minimum of 20" diameter pattern to the target area 60" above standing level.
- Eye/Face wash heads with float off covers manufactured of UV resistant ABS plastic mounted in a high visibility ABS Yellow Bowl
- Combination shower and eye/face wash shall deliver 30 GPM @ 30/70 psi of flowing pressure from the shower head and 8.0 GPM @ 30/70 psi of flowing pressure from the eye/face wash.

Certified to ANSI Z358.1 shall deliver 30 GPM @ 30/70 psi of flowing pressure from the shower head and 8.0 GPM @ 30/70 psi of flowing pressure from the eye/face wash.

CONSTRUCTION:

- SUPPLY: 1 1/4" NPT
 - WASTE: 1 1/4" NPT
 - WEIGHT: 59 lbs (26.76 kgs)
 - PIPING: Schedule 80 hot dip galvanized steel.
 - BOWL: High visibility ABS plastic Yellow Bowl.
 - EYE/FACE WASH HEAD: ABS plastic dual stream heads with ABS plastic float off covers secured with stainless steel bead chains.
- VALVES: Chrome plated bronze stay open ball valves with chrome plated balls, stainless steel valve stems, stainless steel push plate with actuation graphic (eye/face wash) and stainless steel pull rod assembly with actuation graphic (shower). Valve Size 1", eye face wash 1/2" Strainer Tee option: 1/2" BCP, 16 mesh.

Cat. No. 16605

