

# Other HEMCO Products



UniFlow CE



UniFlow SE AireStream  
High Performance  
Energy Efficient  
Laboratory Fume Hoods



UniFlow LE



UniFlow LE FM



Safety Equipment



# Installation, Operation, Maintenance Manual Island Canopy Hoods Model Numbers 23030, 23040, 23060, 23080



Visit [www.HEMCOcorp.com](http://www.HEMCOcorp.com)

HEMCO Corporation  
711 S. Powell Road  
Independence MO, 64056  
MM-ICANOPYHF-07.18

**HEMCO**  
Lab Planning Solutions

Call Toll Free: (800) 779-4362

Email [info@HEMCOcorp.com](mailto:info@HEMCOcorp.com)  
Phone (816) 796-2900  
Fax (816) 796-3333

Visit [www.HEMCOcorp.com](http://www.HEMCOcorp.com)

HEMCO Corporation  
711 S. Powell Road  
Independence MO, 64056

**HEMCO**  
Lab Planning Solutions

Call Toll Free: (800) 779-4362

Email [info@HEMCOcorp.com](mailto:info@HEMCOcorp.com)  
Phone (816) 796-2900  
Fax (816) 796-3333

## Upon Receiving Canopy Hood

The **HEMCO** canopy hoods are shipped in cartons and wrapped for maximum protection and ease of handling. If damaged call the adjuster for the delivering carrier promptly and notify **HEMCO** at (816) 796-2900.

- Carefully unpack the hood from the shipping carton.
- Check for any interior or exterior damage incurred during shipping.

Installation of hood shall be performed by qualified professional who has read and understands these instructions and is familiar with proper safety precautions. Read this manual thoroughly before installing this equipment.

### SITE PREPARATION

1. Provide clearance around installation site to safely rig and lift equipment into its final position.
2. For proper exhaust range, install unit within 10-12' of external exit point.
3. Thoroughly review plans showing engineered placement.
4. Verify no interferences to keep exhaust ducting straight and without bends or twists.
5. Determine that enough room above hood is available for any duct or electrical connections.

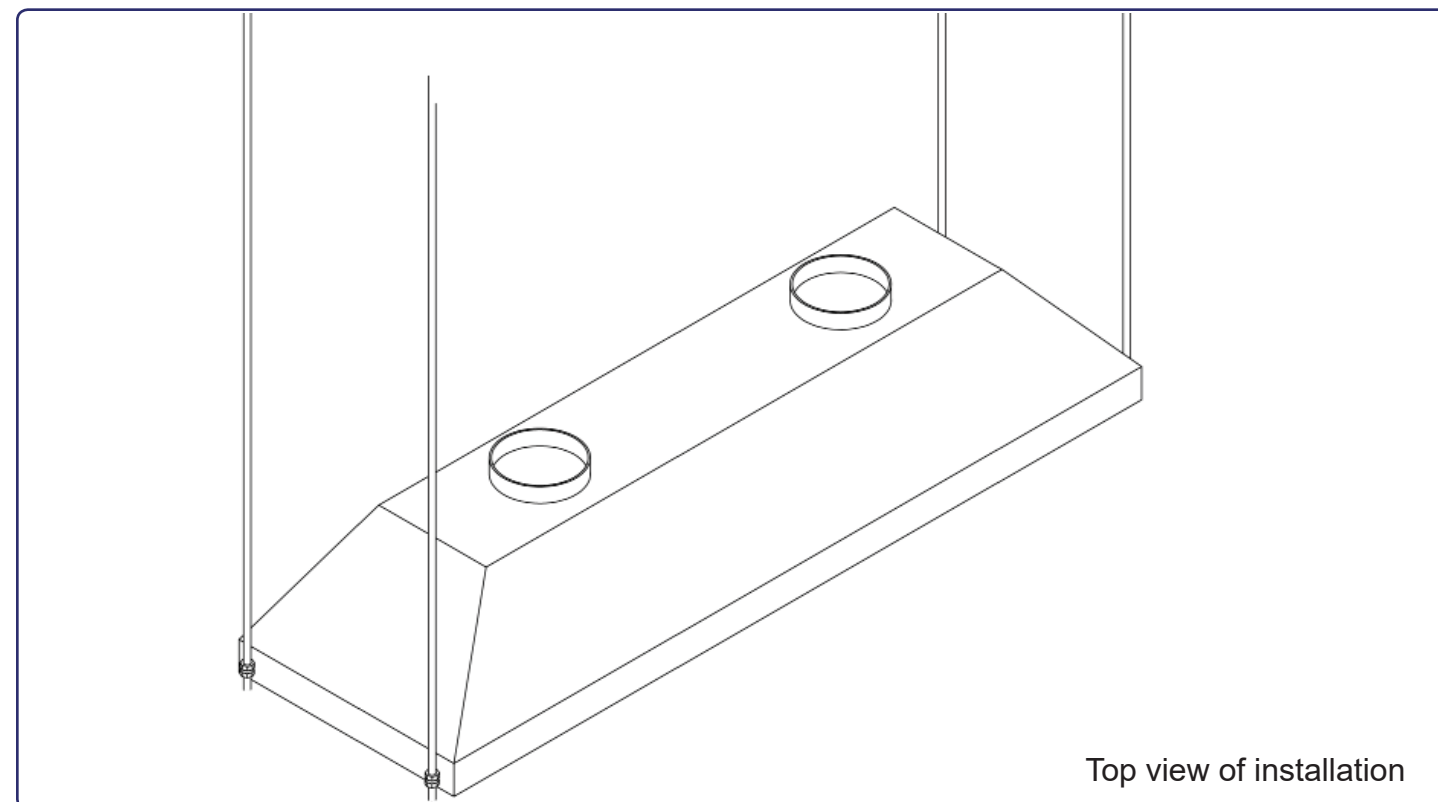
It is important to check with local authority having jurisdiction to determine that the installation method is satisfactory to meet their requirements prior to installing the equipment.

### INSTALLATION

Island Canopy hoods should be installed within 4' of laboratory work surface by locally accepted installation guidelines. Typical installation will use 1/2" threaded rod to suspend from ceiling and 1/2" eyebolt to connect to pre-drilled holes in side of hood.

Where connected to ceiling support should be as engineered at a structurally supportive location and approved by contractor.

Avoid any obstruction while raising hood so as to not scratch or damage hood while being hoisted.



HEMCO Corporation  
711 South Powell Road  
Independence, MO 64056

**HEMCO**<sup>®</sup>  
*Laboratory Planning Solutions*  
www.HEMCOcorp.com

info@HEMCOcorp.com  
Fax (816) 796-3333  
Tel (816) 796-2900

### 1 Year Limited Warranty (Effective 05.1.2014)

HEMCO warrants Canopy Hoods, for materials, and workmanship. HEMCO's warranty shall be for a period of (1) year from the date of sale to the original purchaser. HEMCO Corporation will repair or replace products found to be defective in materials or workmanship within the period set forth above, provided that:(a) the product has not been subjected to misuse, contamination, neglect, accident, incorrect wiring, improper installation or servicing, or used in violation of instructions furnished by HEMCO Corporation. And (b) as to any defects in materials or workmanship covered by this warranty, the product has shall be repaired or altered by anyone authorized by HEMCO Corporation, and (c) the serial number has not been removed, defaced or other wise changed, and (d) HEMCO Corporation, does not assume the costs of removal and/or installation of the product or any other incidental costs of removal and/or installation of the product or any other incidental costs which may arise as a result of any defect in material or workmanship, and (e) upon discovery of defect, Buyer shall notify HEMCO Corporation.

Any Warranty implied by law, including warranties of merchantability or fitness, is in effect only for the duration of the expressed warranties set forth above, no person is authorized to give any other warranty, or to assume for HEMCO Corporation any other liability in connection with the sale of it's products; HEMCO Corporation shall not be liable for the loss of use, revenue, or profit or for any injury, or for any other consequential or incidental damages, buyer is not relying on seller's judgement regarding original buyer particular requirements, and has had an opportunity to inspect the product to original buyer satisfaction.

This Warranty is in lieu of all other expressed or implied Warranties

This warranty gives you specific legal rights, and you may also have other rights, which vary, from state to state.

## Notes:

## Canopy Hood Installation

With hood set in proper place, connect each rod end with heavy duty nuts and appropriately sized fender washers to the connection bracket.

Ensure bottom of hood is leveled and weight of each corner is evenly distributed.

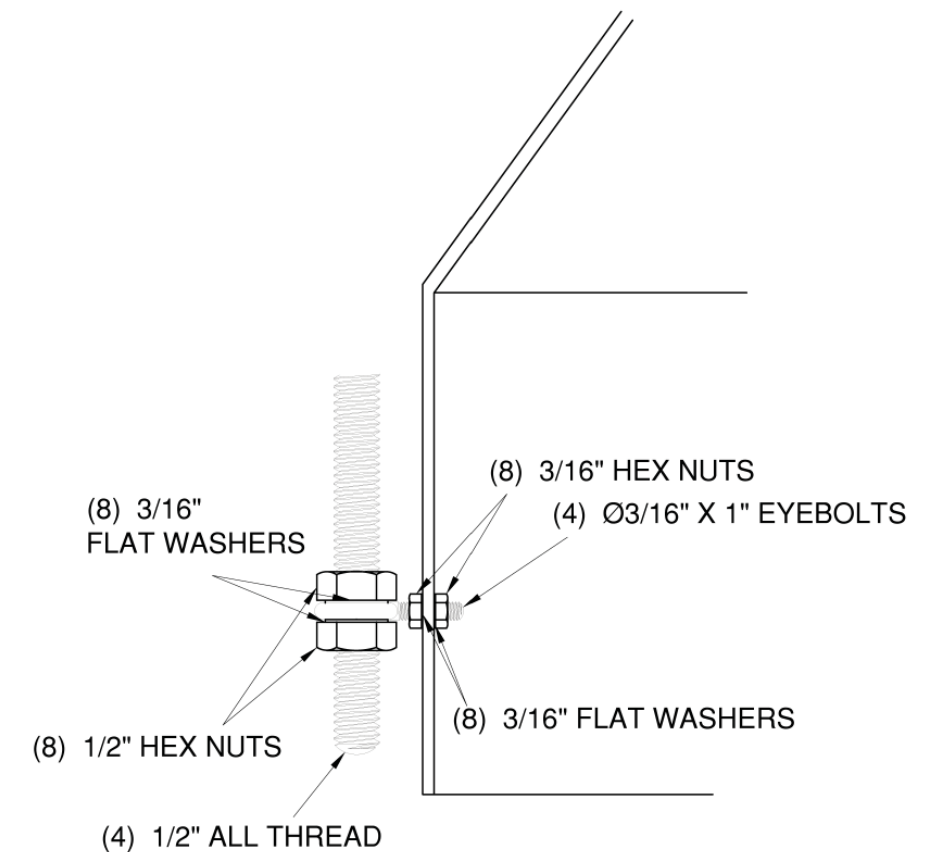
**DO NOT ALLOW ANY PERSONNEL TO STAND ON TOP OF HOOD.  
THIS HOOD IS NOT MANUFACTURED OR ENGINEERED TO SUPPORT EXCESSIVE WEIGHT.**

Island canopy hood is ready for connection to the exhaust duct work.

It is recommended that protective sheeting remain on the installed hood until any area construction is complete.

(Insert Exploded Diagram of Typical Connection to Hood)

1. ADD 3/16" HEX NUT AND WASHER TO EYEBOLT
2. INSERT EYEBOLT IN 1/4" HOLE IN CANOPY
3. ADD 3/16" HEX NUT AND WASHER TO EYEBOLT
4. ATTACH ALL THREAD TO HANGERS
5. ADD 1/2" HEX NUT AND WASHER TO ALL THREAD
6. INSERT ALL THREAD IN HOLE OF EYEBOLT
7. ADD 1/2" HEX NUT AND WASHER TO ALL THREAD
8. USING A LEVEL ADJUST EACH NUT TO PROPER HEIGHT



# *Canopy Hood Operation*

*Notes:*

Safety considerations require that a schedule of inspections and documentation be set up for every canopy hood.

An inspection record should be maintained. This record may be in the form of a label attached to the fume hood or a log maintained by the laboratory director or safety officer.

Inspection procedures should include instrument verification of fume hood face velocity performance and usage by observations and interview.

Procedures should consist of a physical examination of liner condition and cleanliness, baffle and sash operation and condition, sash cable and guide wheels, and service fixture function.

All results should be recorded and reported to the proper authority for any required action.

Consult your company safety department for recommendations covering the materials you plan on using.

Cross-drafts, created by the room ventilation system or from an open window or corridor, if located adjacent to the hood, can drastically disturb the flow of air entering the fume hood face and even cause a reverse flow of air out of the front of the hood. Room conditions such as these should be avoided. The velocity of the cross drafts should not exceed 20 percent of the fume hood face velocity.

Your Laboratory Safety Plan and Company Procedures should combine to create a safe and healthful work environment.

## **MAINTENANCE**

To preserve looks, periodic cleaning with mild detergent is usually sufficient.